

9 APPENDIX A – BID FORM

IFB No. 2026-051 Detention Center Walk-In Freezer and Cooler Replacement

SUBMIT WITH BID

Name of Bidder: GARMON MECHANICAL SERVICE INC.

The undersigned Bidder hereby declares that he has carefully investigated the scope of work and having thoroughly familiarized himself with the Contract Documents relative hereto and has read all special provisions furnished prior to the opening of the bids; that he has satisfied himself relative to the work to be performed. The bidder further declares that he and his subcontractors have fully complied with NCGS 64, Article 2 in regard to E-Verification as required by N.C. General Statute 143-129(j). The bidder agrees to hold the proposed bid price for 90 days.

The bidder proposes and agrees if this proposal is accepted, to contract with Union County Government, in the form of contract specified, to provide all necessary labor, equipment, materials, machinery, tools, apparatus, transportation, services, fees, permits, etc., to complete the construction of Union County Detention Center Walk-In Freezer and Cooler Replacement all in accordance with the aforementioned Contract Documents to the full and entire satisfaction of Union County Government, with definite understanding that no money will be allowed for extra work except for the lump sum.

Provide 5% of the base bid price as an Owner contingency allowance and provide a Total Base Bid Price. Any funds not used from this allowance will be returned to the Owner by deduct change order.

This Bid Form must be completed in its entirety as-is and submitted with bid. The Total Bid is considered a turn-key cost for the completion of this project. *Bidder's may not write-in exceptions or additional expenses.*

Description	Estimated Days	Unit Cost	Base Bid
Trenton - M/TEZA025L8HT3DF, 2.5 HP, Low Temp Refrigeration Condensing Unit 208/230 3P.	N/A	6264. ⁰⁰	6264. ⁰⁰
Trenton - M/TPLP211LES2DR6, 2 Fan Evap., 11000 BTU, Low Temp Electric Defrost 208/230 1P.	N/A	3521. ⁰⁰	3521. ⁰⁰
Trenton - M/TEZA008H8HT3DB, .8 HP Refrigeration Condensing Unit 208/230 3P.	N/A	4422. ⁰⁰	4422. ⁰⁰
Trenton - M/TPLP209MAS1DR6, 2 Fan Evap., 9000 BTU 115 V 1P.	N/A	2715. ⁰⁰	2715. ⁰⁰
Labor	N/A		60,000. ⁰⁰
Freezer/Cooler Rental Per Day	30	233.34	7000. ⁰⁰
Other	MATERIALS		67,880. ⁰⁰
Base Bid:			151,802. ⁰⁰
5% of Base Bid =Owner's Contingency:			7,590. ¹⁰
Base Bid + Contingency = Total Bid:			159,392. ¹⁰

Provide the Following:

Manufacturer Name Trenton
Warranty (Section 6.12) 1yr all parts / extended available
NC Secretary of State ID No. 01-0556719
NC Class 1 Commercial Refrigeration License No. ~~2967~~ 2967 / 11602
NC Electrical License No. 31209-L

Bid Package Checklist:

1. Appendix A – Bid Form
2. Appendix B – Bid Submission Form (signed)
3. Appendix C – Addendum and Anti-Collusion Form (signed)
4. Freezer and Cooler Product Specifications (Section 6.14.1)
5. References (Section 6.14.2)
6. ~~Subcontractor List~~ (Section 6.14.3) NO SUBCONTRACTOR LABOR
7. Materials List (Section 6.14.4)


Time of Completion

The undersigned Bidder proposes and agrees hereby to commence the Work of the Contract Documents on a date specified in a written Notice to Proceed to be issues by Owner and shall fully complete the Work within One Hundred-Twenty Hundred [120] **calendar days**.

Liquidated Damages

The undersigned further agrees, stipulates, and fixes as Liquidated Damages if delayed, but not as a penalty, the sum of **Two Hundred-Fifty Dollars [\$250.00]** per calendar day that the undersigned together with the undersigned’s surety shall pay the Owner for each calendar day or part thereof that expires after the date specified for the substantial completion of the work and until the Work is Substantially complete. By bidding, the undersigned hereby agrees to be responsible for liquidated damages.

Signed by an executive of the company that has authority to contract with Union County, NC.

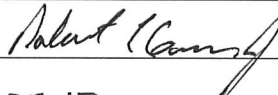
Name: ROBERT L. GARMON JR.
Title: PRESIDENT
Signature: 
Date: 3/24/2026

10 APPENDIX B – BID SUBMISSION FORM

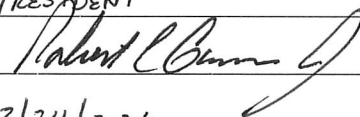
IFB No. 2026-051 Detention Center Walk-In Freezer and Cooler Replacement

SUBMIT WITH BID

This Bid is submitted by:

Company Legal Name: GARMON MECHANICAL SERVICE INC.
Representative Name: ROBERT L. GARMON JR.
Representative Signature: 
Representative Title: PRESIDENT
Address: PO BOX 1136
City/State/Zip: ALBEMARLE, NC 28002
Email Address: bgarmon.64@garmonmechanical.com
Phone Number: 704-984-6555
Website Address: WWW.GARMONMECHANICAL.COM

It is understood that Union County reserves the right to reject any and all Bids, to make awards according to the best interest of the County, to waive formalities, technicalities, to recover and re-bid this project. Bid is valid for 90 calendar days from the Bid due date and is submitted by an executive of the company that has authority to contract with Union County, NC.

Name: ROBERT L. GARMON JR.
Title: PRESIDENT
Signature: 
Date: 3/24/2026

11 APPENDIX C – ADDENDUM AND ANTI-COLLUSION FORM

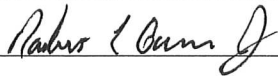
IFB No. 2026-051 Detention Center Walk-In Freezer and Cooler Replacement

SUBMIT WITH BID

Please acknowledge receipt of all addenda by including this form with your Bid. Any questions or changes received will be posted as an addendum on www.co.union.nc.us and/or www.ips.state.nc.us. It is your responsibility to check for this information.

Addendum No.	Date Downloaded
1	2/20/26
2	2/25/26
3 - REBID	3/10/26

I certify that this Bid is made in good faith and without collusion with any other offeror or officer or employee of Union County.

Company Name: GARMON MECHANICAL SERVICE INC.
Name: ROBERT L. GARMON JR.
Title: PRESIDENT
Email Address: lgarmon.64@GARMONMECHANICAL.COM
Signature: 
Date: 3/24/2026



NATIONAL REFRIGERATION AND
AIR CONDITIONING CANADA CORP.

99 ROY BLVD. PO BOX 2020
BRANTFORD ON
CANADA N3T 5Y6

WHOLESALE DISTRIBUTORS
REFRIGERATION - AIR CONDITIONING
HEATING SUPPLIES & EQUIPMENT

UR UNITED REFRIGERATION INC. SYSTEMS LOAD SUMMARY

Prepared By

Prepared For

System: General Walk-in Freezer

Application Title	Location	Interior Temperature	Exterior Temperature	Internal RH	External RH
General Walk-in Freezer	Indoor	-10 °F	85 °F	95 %	55 %
Wall Load 0%	Infiltration Load 0%	Product Load 0%	Miscellaneous Load 0%		
Design Load	Safety Load	Run Time	18 Hours	Capacity Required	
SYSTEM BALANCE	SST	-19.2 °F	Evaporator TD	8.7 °F	System Capacity
					9,630 BTUH



UNITED REFRIGERATION INC.



NATIONAL REFRIGERATION AND WHOLESALE DISTRIBUTORS GENERAL WALK-IN FREEZER
 AIR CONDITIONING CANADA WHOLESALE DISTRIBUTORS
 159 ROY BLVD. PO BOX 2020 REFRIGERATION - AIR CONDITIONING
 BRANTFORD ON HEATING SUPPLIES & EQUIPMENT
 CANADA N3T 5Y6

Prepared By

Prepared For

COOLING REQUIREMENTS

Application Title	Location	Interior Temperature	External Temperature	Internal RH	External RH
General Walk-in Freezer	Indoor	-10 °F	85 °F	95%	55%
Wall Load 0%	Infiltration Load 0%	Product Load 0%	Miscellaneous Load 0%		
0 BTUH	0 BTUH	0 BTUH	0 BTUH	0 BTUH	

INFILTRATION LOAD : ESTIMATED BY DOORS AND OPENINGS

Quantity	Door or Opening Type	Height (in)	Width (in)	Ext Temp (°F)	External Rh (%)	Open Time (hrs)	Curtains	Load (BTUH)
TOTAL INFILTRATION LOAD ESTIMATED BY DOORS AND OPENINGS								0

PRODUCT LOADS

Type	Weight (lb)	Enter Temp (°F)	Final Temperature (°F)	Pull Down (hrs)	Load (BTUH)
General, Mixed Products, Approximation	0	0	-10	24	
TOTAL PRODUCT WEIGHT (lb)	0	Total Product Load			0

MISCELLANEOUS LOADS

Quantity	Description	Power	Units	Run Time (hrs)	Load (BTUH)
TOTAL MISCELLANEOUS LOAD					0

SYSTEM DESIGN SUMMARY

Design Load (BTUH)	Safety Factor	Safety Load (BTUH)	Run Time (Hours)	Capacity Required (BTUH)	Refrigerant	Line Frequency (Hz)	Design TD (°F)	Line Loss (°F)
	10%		18		R404A	60	10	0.5

SYSTEM EQUIPMENT SELECTION

Equipment Type	Quantity	Model Number	Description	Voltage	RATING (BTUH)
Condensing Units-Air	1	TEZA025L8-HT3D	EZ-Line Scroll Condensing Units-Air	208-230/3/60	9,373
Evaporator	1	TPLP211LES2DR6	TPLP Low Profile Evaporator	208-230/1/60	11,000

SYSTEM BALANCE

Condenser Ambient (°F)	Suction Temp (°F)	Evaporator TD (°F)	System Capacity (BTUH)
95	-19.2	8.7	9,630



PURCHASER:	SUBMITTED BY:
PROJECT:	DATE: 3/25/2026
ORDER #: -A00	ITEM #: 0
QUOTE #:	ID #:
PURCHASER'S PO#:	TAGGING:

STANDARD FEATURES

- 3/8" Tubing coil construction (reduces refrigerant operating charge)
- Adjustable pressure fan cycling control on 2 fan models only
- Anti-short cycle time delay
- Copper tubing secured with cushion clamps
- Crankcase heater
- Discharge line temperature sensor
- Fan Guard
- Fan motors are inherently protected with internal overloads
- Pre-formed piping
- Receiver with fusible plug and liquid shut off valve
- Suction Service valve
- Adjustable flooded head pressure control (unless otherwise indicated)
- Units are shipped with Helium holding charge
- Weatherproof electrical control box with compressor contactor and fused control circuit
- Welded hermetic Scroll compressor
- Adjustable low pressure control with flex hose / fixed high pressure control
- High efficiency enhanced copper tube and aluminium fin coil design
- Compatible with Low GWP Refrigerants
- Outdoor weatherproof pre-painted steel cabinet

MODEL OPTIONS

OPTION PACKAGES

- Small B (Good@Warm/Moderate)
- Small N (Better@Warm/Moderate)
- Small P (Best@Warm/Moderate)
- Small D (Good@Moderate/Cold)
- Small J (Better@Moderate/Cold)
- Small Q (Best@Moderate/Cold)
- Small K
- Small H
- 115V Control Circuit

ADJUSTABLE PRESSURE CONTROLS

- Johnson Dual with flex hose
- Separate High/Low
- Separate High/Low: MAN Reset on HP

BALL VALVE

- Liquid Line (Shipped Loose)
- Liquid Line (Factory Installed)
- Suction Line (Shipped Loose)
- Suction Line (Factory Installed)

CAPACITY CONTROL - HOT GAS BYPASS

- To Inlet of Evaporator
- To Suction Line
- Compressor Circuit Breaker

CONDENSING UNIT PRISON PACKAGE

- Tamper Proof Screws
- Crankcase Pressure Regulator

CONTACTORS

- 30A Contactor
- 40A Contactor
- 60A Contactor

DEFROST KIT (USE W/KE2 EVAP EFF)

- Up to 30A per Evap
- 35A to 50A per Evap
- Over 50A per Evap
- Discharge Air Hood
- Discharge Line Check Valve
- Discharge Line Temperature Sensor
- Discharge Tee + Ball Valve

DISCONNECT SWITCH

- Fused
- Non-Fused

EC FAN MOTORS + SPEED CONTROLLER

- All Motors Variable Speed - 230V Units
- SmartSpeed

ELECTRONIC CONTROLLER

- KE2 Condensing Unit Control

ELECTRONIC PRESSURE CONTROL

- Low Pressure Control
- High Pressure Control
- Export Crating

COIL COATING

- Heresite Coating
- E-Coat

FIN MATERIAL

- Gold Coat Fins
- Copper Fins
- Hail Guard for Condenser
- Heated and Insulated Receiver

HOUSING MATERIAL

- Stainless Steel
- Insulated Suction Line

LIQUID LINE FILTER + SIGHT GLASS

- Sealed
- Replaceable
- Liquid Line Lock-Out Relay

LIQUID LINE SOLENOID VALVE

- Standard 230V Coil (Shipped Loose)
- Standard 115V Coil (Shipped Loose)

OIL SEPARATOR

- With Oil Filter and Solenoid
- One Time Pump Down
- Oversized Receiver

PHASE / VOLTAGE MONITOR

- 3-Lead
- 6-Lead (MotorSaver455)
- Pump Down Toggle Switch
- Receiver Inlet Ball Valve
- Single Point Electrical
- Sub Cooling Circuit

SUCTION ACCUMULATOR

- With Heat Exchanger
- Without Heat Exchanger

SUCTION FILTER

- Sealed Type
- Replaceable Core

TIME CLOCK

- Paragon 8145 Style (Factory Installed)
- 230V Paragon 8145 Style (Shipped Loose)
- 115V Paragon 8145 Style (Shipped Loose)

- Wind Guard
- TQuickVac Valves
- Less Flooding Valve(s)

STOCKING MODEL OPTION PACKAGE F

- Package F

Notes: † MCA.. Minimum Circuit Ampacity, ‡ MOP.. Maximum Overcurrent Protection
 MCA & MOP are for the condensing unit ONLY. Single point connections WILL show different on dataplate.
 AWEF = 3.15 for R404A/R507/407A/R448A/R449A. Non-compliant DOE NRCAN model for all other refrigerants

APPROVALS



APPROVED BY :

DATE :

Approval of this drawing signifies that the equipment is acceptable under the provision of the job specifications. Any change made hereon by any person whomsoever subject to acceptance by NATIONAL REFRIGERATION at its home office.



NATIONAL REFRIGERATION AND
AIR CONDITIONING CANADA CORP.

180 ROY BLVD. PO BOX 2020
BRANTFORD ON
CANADA N3T 5Y6

WHOLESALE DISTRIBUTORS
REFRIGERATION + AIR CONDITIONING
HEATING SUPPLIES & EQUIPMENT

TEZA025L8-11135

EZ-Line Scroll
Condensing Units-Air

PURCHASER:		SUBMITTED BY:	
PROJECT:		DATE: 3/25/2026	
ORDER #: -A00		ITEM #: 0	
QUOTE #:		ID #:	
PURCHASER'S PO#:		TAGGING:	
SELECTED OPTION DESCRIPTIONS			
<u>QuickVac Valves</u>		Brass body valve allowing 3/8" and 1/2" hose connections to the condensing unit for evacuation purposes.	
Approval of this drawing signifies that the equipment is acceptable under the provision of the job specifications. Any change made hereon by any person whomsoever subject to acceptance by NATIONAL REFRIGERATION at its home office.			



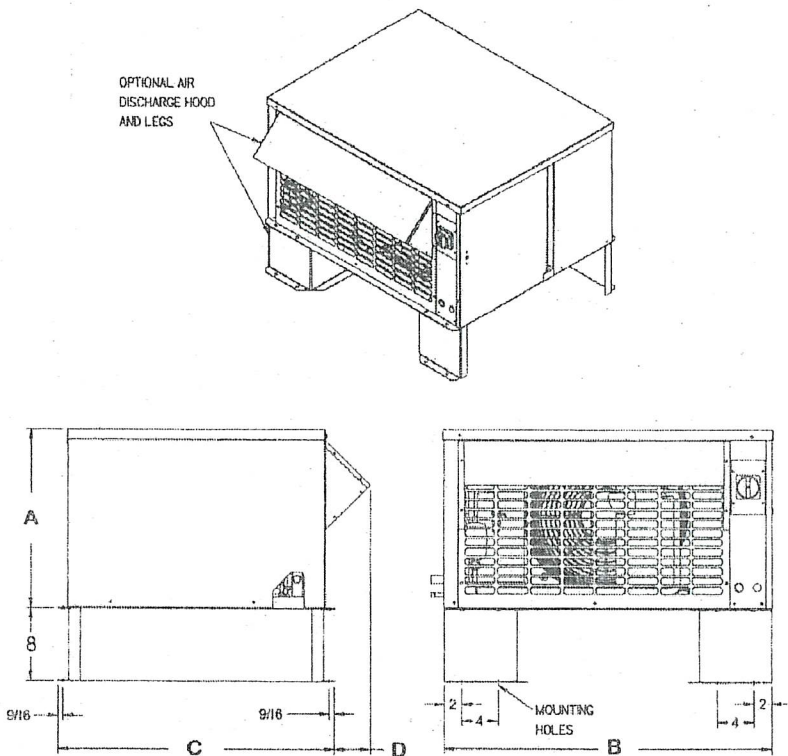
NATIONAL REFRIGERATION AND
AIR CONDITIONING CANADA CORP.
59 ROY BLVD. PO BOX 2020
BRANTFORD ON
CANADA N3T 5V6

WHOLESALE DISTRIBUTORS
REFRIGERATION - AIR CONDITIONING
HEATING SUPPLIES & EQUIPMENT

EZ-Line Scroll
Condensing Units-Air

PURCHASER:	SUBMITTED BY:
PROJECT:	DATE: 3/25/2026
ORDER #: -A00	ITEM #: 0
QUOTE #:	ID #:
PURCHASER'S PO#:	TAGGING:

DIMENSIONS SHOWN ARE FOR STANDARD UNIT LESS OPTIONS.



DIMENSIONS			FIELD CONNECTIONS				OTHER			
DIMENSION A	19 7/8 in	DIMENSION E	LIQUID	3/8 in	PAN LOOP	SHIPPING WEIGHT	335 lb			
DIMENSION B	36 3/8 in	DIMENSION F	SUCTION	7/8 in	HOT GAS SIDE PORT	REFRIGERANT CHARGE	6 lb			
DIMENSION C	30 3/8 in	DIMENSION G	DRAIN		HOT GAS INLET	RECEIVER CAPACITY	14 lb			
DIMENSION D	4 in	DIMENSION H	WATER		HOT GAS OUTLET	AWEF COMPLIANT	YES			
			DISCHARGE							
Voltage		SYSTEM REFRIGERANT		RATING	Suction Temp	Ambient Temp		CAPACITY		
208-230/3/60		R404A		2.5Hp	-20.5 °F	95 °F		9,373 BTUH		
Fans			COMPRESSOR			CIRCUIT TOTAL				
QTY	Power	FLA/FAN	Type	QTY	RLA	LRA	AMPS	WATTS	MCA†	MOP‡
1	240	11	ZF08K4E-TF5	1	9.6	63.0	10.7		13.1	20
LIQUID		3/8 in	SOUND	REC CAPACITY			14 lb		APPROVALS:	
SUCTION		7/8 in	WEIGHT	REF CHARGE			6 lb			

Notes: † MCA.. Minimum Circuit Ampacity, ‡ MOP.. Maximum Overcurrent Protection
MCA & MOP are for the condensing unit ONLY. Single point connections WILL show different on dataplate.
AWEF = 3.15 for R404A/R507/407A/R448A/R449A. Non-compliant DOE NRCAN model for all other refrigerants

APPROVED BY:	DATE:
--------------	-------

NATIONAL REFRIGERATION will furnish equipment in accordance with this drawing and specifications, and subject to its published warranty. Approval of this drawing signifies that the equipment is acceptable under the provision of the job specifications. Any change made hereon by any person whomsoever subject to acceptance by NATIONAL REFRIGERATION at its home office



NATIONAL REFRIGERATION AND
AIR CONDITIONING CANADA CORP.

659 ROY BLVD. PO BOX 2020
BRANTFORD ON
CANADA N3T 5Y6

WHOLESALE DISTRIBUTORS
REFRIGERATION - AIR CONDITIONING
HEATING SUPPLIES & EQUIPMENT

TPLP 211LES2DR6

TPLP Low Profile

PURCHASER:		SUBMITTED BY:	
PROJECT:		DATE: 3/25/2026	
ORDER #: -A00		ITEM #: 0	
QUOTE #:		ID #:	
PURCHASER'S PO#:		TAGGING:	

STANDARD FEATURES

- 3/8" Tubing coil construction (reduces refrigerant operating charge)
- Factory installed solenoid valve wire harness
- Heavy gauge textured aluminum cabinet construction resists scratches/corrosion
- Spacious piping end compartment allows for easy assembly
- Hinged drain pan with central universal drain connection (3/4" drain)
- Front access to spacious electrical and header compartments
- Schrader connection on suction header
- Attractive and durable high density polyethylene fan guards
- Ultra efficient Electronically Commutated Motor (ECM)
- ECM with SmartSpeed Technology
- High efficiency enhanced copper tube and aluminium fin coil design
- TPLP evaporator includes TXV, Liquid Line solenoid and Room Thermostat factory installed and wired
- Unit Cooler is DOE/NRCAN compliant with R404A/R507/R448A/R449A/R407A

MODEL OPTIONS

PRE-ASSEMBLED EVAP

TPLP TXV, LLSV.T-stat (Factory Installed)

KE2 THERM

Edge Manager Cell w/BACNet - #21926 (Shipped Loose)

Notes: † MCA.. Minimum Circuit Ampacity, ‡ MOP.. Maximum Overcurrent Protection

APPROVALS



APPROVED BY :

DATE :

Approval of this drawing signifies that the equipment is acceptable under the provision of the job specifications. Any change made hereon by any person whomsoever subject to acceptance by NATIONAL REFRIGERATION at its home office.



NATIONAL REFRIGERATION AND
AIR CONDITIONING CANADA CORP.

108 ROY BLVD. PO BOX 2020
BRANTFORD ON
CANADA N3T 5Y6

WHOLESALE DISTRIBUTORS
REFRIGERATION - AIR CONDITIONING
HEATING SUPPLIES & EQUIPMENT

TPLP Low Profile
Evaporator

PURCHASER:		SUBMITTED BY:	
PROJECT:		DATE: 3/25/2026	
ORDER #: -A00		ITEM #: 0	
QUOTE #:		ID #:	
PURCHASER'S PO#:		TAGGING:	
SELECTED OPTION DESCRIPTIONS			
<p><u>Pre-assembled Evap. TPLP TXV, LLSVT-stat (Factory Installed)</u> thermostat.</p> <p>Option Package consists of factory installed Sporlan balance port TXV, Sporlan liquid line solenoid valve and Johnson Controls A19 Room</p>			
<p>Approval of this drawing signifies that the equipment is acceptable under the provision of the job specifications. Any change made hereon by any person whomsoever subject to acceptance by NATIONAL REFRIGERATION at its home office.</p>			



NATIONAL REFRIGERATION AND
AIR CONDITIONING CANADA CORP.

199 ROY BLVD. PO BOX 2020
BRANTFORD ON
CANADA N3T 5Y6

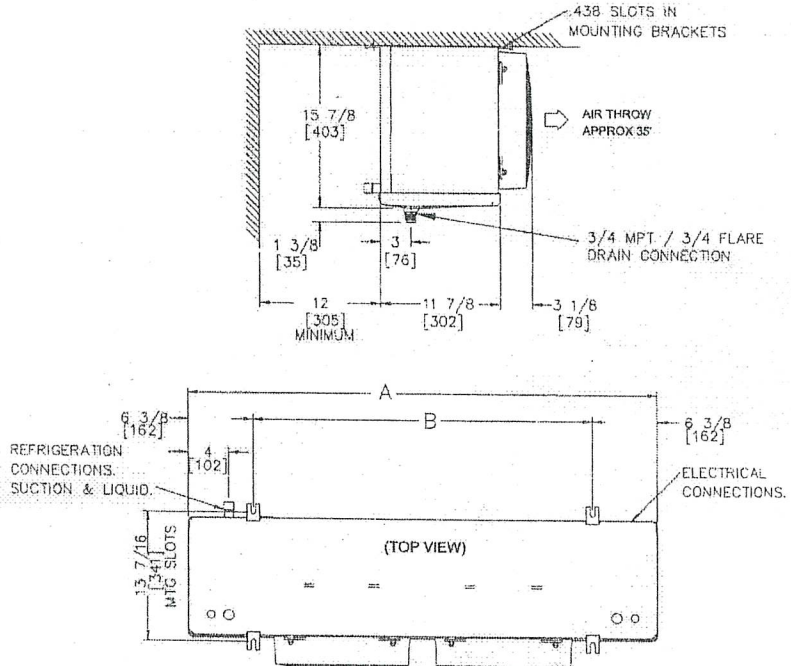
WHOLESALE DISTRIBUTORS
REFRIGERATION - AIR CONDITIONING
HEATING SUPPLIES & EQUIPMENT

TPLP21TLES2DR6

TPLP Low Profile

PURCHASER:		SUBMITTED BY:	
PROJECT:		DATE: 3/25/2026	
ORDER #: -A00		ITEM #: 0	
QUOTE #:		ID #:	
PURCHASER'S PO#:		TAGGING:	

DIMENSIONS SHOWN ARE FOR STANDARD UNIT LESS OPTIONS.



DIMENSIONS			FIELD CONNECTIONS				OTHER	
DIMENSION A	46 1/4 in	DIMENSION E	DISTRIBUTOR	3/8 in	PAN LOOP	SHIPPING WEIGHT	84 lb	
DIMENSION B	33 1/4 in	DIMENSION F	SUCTION	7/8 in	HOT GAS SIDE PORT	REFRIGERANT CHARGE	3 lb	
DIMENSION C		DIMENSION G	DRAIN	3/4 in	HOT GAS INLET	RECEIVER CAPACITY	undefined lb	
DIMENSION D		DIMENSION H	WATER		HOT GAS OUTLET	AWEF COMPLIANT	YES	
			DISCHARGE					

Voltage	SYSTEM REFRIGERANT	AIR FLOW	Evap temperature	Box Temperature	CAPACITY
208-230/1/60	R404A	1,360 CFM	20 °F	10 °F	11,000 BTUH

Fans			HEATERS			CIRCUIT TOTAL			
QTY	Power	FLA/FAN	Type	QTY	AMPS	AMPS	WATTS	MCA†	MOP‡
2	0.07 HP	0.6				1.2	120.0	1.4	15
			DEFROST HEATERS		8.2		1890.0	10.3	15

DISTRIBUTOR	3/8 in	SOUND	56	REC CAPACITY	undefined lb	APPROVALS:
SUCTION	7/8 in	WEIGHT	84 lb	REF CHARGE	3 lb	

Notes: † MCA. Minimum Circuit Ampacity, ‡ MOP. Maximum Overcurrent Protection

APPROVED BY:	DATE:
--------------	-------

NATIONAL REFRIGERATION will furnish equipment in accordance with this drawing and specifications, and subject to its published warranty. Approval of this drawing signifies that the equipment is acceptable under the provision of the job specifications. Any change made hereon by any person whomsoever subject to acceptance by NATIONAL REFRIGERATION at its home office.



UR UNITED REFRIGERATION INC. SYSTEMS LOAD SUMMARY

NATIONAL REFRIGERATION AND AIR CONDITIONING CANADA CORP.
 199 ROY BLVD. PO BOX 2020 BRANTFORD ON CANADA N5T 5Y6
WHOLESALE DISTRIBUTORS
REFRIGERATION - AIR CONDITIONING
HEATING SUPPLIES & EQUIPMENT

Prepared By

Prepared For

System: General Walk-in Cooler

Application Title	Location	Interior Temperature	Exterior Temperature	Internal RH	External RH
General Walk-in Cooler	Indoor	35 °F	85 °F	84 %	55 %
Wall Load 0%	Infiltration Load 0%	Product Load 0%	Miscellaneous Load 0%		
Design Load	Safety Load	Run Time	16 Hours	Capacity Required	
SYSTEM BALANCE	SST	24.3 °F	Evaporator TD	10.2 °F	System Capacity
					8,678 BTUH

UNITED REFRIGERATION INC.



NATIONAL REFRIGERATION AND WHOLESALE DISTRIBUTORS GENERAL WALK-IN COOLER
 AIR CONDITIONING CANADA CORP. REFRIGERATION - AIR CONDITIONING
 159 ROY BLVD. PO BOX 202 BRANTFORD ON CANADA N3T 5V6
 HEATING SUPPLIES & EQUIPMENT

Prepared By

Prepared For

COOLING REQUIREMENTS

Application Title	Location	Interior Temperature	External Temperature	Internal RH	External RH
General Walk in Cooler	Indoor	35 °F	85 °F	84%	55%
Wall Load 0%	Infiltration Load 0%	Product Load 0%	Miscellaneous Load 0%		
0 BTUH	0 BTUH	0 BTUH	0 BTUH		

INFILTRATION LOAD : ESTIMATED BY DOORS AND OPENINGS

Quantity	Door or Opening Type	Height (in)	Width (in)	Ext Temp (°F)	External Rh (%)	Open Time (hrs)	Curtains	Load (BTUH)
TOTAL INFILTRATION LOAD ESTIMATED BY DOORS AND OPENINGS								0

PRODUCT LOADS

Type	Weight (lb)	Enter Temp (°F)	Final Temperature (°F)	Pull Down (hrs)	Load (BTUH)
General, Mixed Products, Approximation	0	45	35	24	
TOTAL PRODUCT WEIGHT (lb)	0	Total Product Load		0	

MISCELLANEOUS LOADS

Quantity	Description	Power	Units	Run Time (hrs)	Load (BTUH)
TOTAL MISCELLANEOUS LOAD					0

SYSTEM DESIGN SUMMARY

Design Load (BTUH)	Safety Factor	Safety Load (BTUH)	Run Time (Hours)	Capacity Required (BTUH)	Refrigerant	Line Frequency (Hz)	Design TD (°F)	Line Loss (°F)
	10%		16		R404A	60	10.1	0.5

SYSTEM EQUIPMENT SELECTION

Equipment Type	Quantity	Model Number	Description	Voltage	RATING (BTUH)
Condensing Units-Air	1	TEZA008H8-HT3D	EZ-Line Scroll Condensing Units-Air		8,695
Evaporator	1	TPLP209MASIDR6	TPLP Low Profile Evaporator		8,586

SYSTEM BALANCE

Condenser Ambient (°F)	Suction Temp (°F)	Evaporator TD (°F)	System Capacity (BTUH)
95	24.3	10.2	8,678



NATIONAL REFRIGERATION AND
AIR CONDITIONING CANADA CORP.

89 ROY BLVD. PO BOX 2020
BRANTFORD ON
CANADA N3T 5Y6

WHOLESALE DISTRIBUTORS
REFRIGERATION - AIR CONDITIONING
HEATING SUPPLIES & EQUIPMENT

EZ-A00818-11T3D

EZ-Line Scroll
Condensing Units-Air

PURCHASER:

SUBMITTED BY:

PROJECT:

DATE: 3/25/2026

ORDER #: -A00

ITEM #: 0

QUOTE #:

ID #:

PURCHASER'S PO#:

TAGGING:

STANDARD FEATURES

- 3/8" Tubing coil construction (reduces refrigerant operating charge)
- Adjustable pressure fan cycling control on 2 fan models only
- Anti-short cycle time delay
- Copper tubing secured with cushion clamps
- Crankcase heater
- Discharge line temperature sensor
- Fan Guard
- Fan motors are inherently protected with internal overloads
- Pre-formed piping
- Receiver with fusible plug and liquid shut off valve
- Suction Service valve
- Adjustable flooded head pressure control (unless otherwise indicated)
- Units are shipped with Helium holding charge
- Weatherproof electrical control box with compressor contactor and fused control circuit
- Welded hermetic Scroll compressor
- Adjustable low pressure control with flex hose / fixed high pressure control
- ECM with SmartSpeed Technology
- High efficiency enhanced copper tube and aluminium fin coil design
- Compatible with Low GWP Refrigerants
- Outdoor weatherproof pre-painted steel cabinet

MODEL OPTIONS

OPTION PACKAGES

- Small B (Good@Warm/Moderate)
- Small N (Better@Warm/Moderate)
- Small P (Best@Warm/Moderate)
- Small D (Good@Moderate/Cold)
- Small J (Better@Moderate/Cold)
- Small Q (Best@Moderate/Cold)
- Small K
- Small H
- 115V Control Circuit

ADJUSTABLE PRESSURE CONTROLS

- Johnson Dual with flex hose
- Separate High/Low
- Separate High/Low: MAN Reset on HP

BALL VALVE

- Liquid Line (Shipped Loose)
- Liquid Line (Factory Installed)
- Suction Line (Shipped Loose)
- Suction Line (Factory Installed)

CAPACITY CONTROL - HOT GAS BYPASS

- To Inlet of Evaporator
- To Suction Line

- Compressor Circuit Breaker

CONDENSING UNIT PRISON PACKAGE

- Tamper Proof Screws
- Crankcase Pressure Regulator

CONTACTORS

- 30A Contactor
- 40A Contactor
- 60A Contactor

DEFROST KIT (USE W/KE2 EVAP EFF)

- Up to 30A per Evap
- 35A to 50A per Evap
- Over 50A per Evap
- Discharge Air Hood
- Discharge Line Check Valve
- Discharge Tee + Ball Valve

DISCONNECT SWITCH

- Fused
- Non-Fused

EC FAN MOTORS + SPEED CONTROLLER

- All Motors Variable Speed - 230V Units

ELECTRONIC CONTROLLER

- KE2 Condensing Unit Control

ELECTRONIC PRESSURE CONTROL

- Low Pressure Control
- High Pressure Control
- Export Crating

- Extended Leg Kit

COIL COATING

- Heresite Coating
- E-Coat

FIN MATERIAL

- Gold Coat Fins
- Copper Fins
- Hail Guard for Condenser
- Heated and Insulated Receiver

HOUSING MATERIAL

- Stainless Steel
- Insulated Suction Line

LIQUID LINE FILTER + SIGHT GLASS

- Sealed
- Replaceable
- Liquid Line Lock-Out Relay
- LIQUID LINE SOLENOID VALVE**
- Standard 230V Coil (Shipped Loose)
- Standard 115V Coil (Shipped Loose)

OIL SEPARATOR

- With Oil Filter and Solenoid
- One Time Pump Down
- Oversized Receiver

PHASE / VOLTAGE MONITOR

- 3-Lead
- 6-Lead (MotorSaver455)
- Pump Down Toggle Switch
- Receiver Inlet Ball Valve

- Single Point Electrical

SUCTION ACCUMULATOR

- With Heat Exchanger
- Without Heat Exchanger

SUCTION FILTER

- Sealed Type
- Replaceable Core

TIME CLOCK

- Paragon 8145 Style (Factory Installed)
- 230V Paragon 8145 Style (Shipped Loose)
- 115V Paragon 8145 Style (Shipped Loose)
- Wind Guard

- TQuickVac Valves
- Less Flooding Valve(s)

STOCKING MODEL OPTION PACKAGE F

- Package F

Notes: † MCA.. Minimum Circuit Ampacity, ‡ MOP.. Maximum Overcurrent Protection
MCA & MOP are for the condensing unit ONLY. Single point connections WILL show different on dataplate.
AWEF = 7.6 for R404A/R507/R407A/R448A/R449A. Non-compliant DOE NRCAN model for all other refrigerants

APPROVALS



APPROVED BY:

DATE:

Approval of this drawing signifies that the equipment is acceptable under the provision of the job specifications. Any change made hereon by any person whomsoever subject to acceptance by NATIONAL REFRIGERATION at its home office.



NATIONAL REFRIGERATION AND
AIR CONDITIONING CANADA CORP.
159 ROY BLVD. PO BOX 2020
BRANTFORD ON
CANADA N3T 5V6

WHOLESALE DISTRIBUTORS
REFRIGERATION - AIR CONDITIONING
HEATING SUPPLIES & EQUIPMENT

TEZA00818-113D

EZ-Line Scroll
Condensing Units-Air

PURCHASER:	SUBMITTED BY:
PROJECT:	DATE: 3/25/2026
ORDER #: -A00	ITEM #: 0
QUOTE #:	ID #:
PURCHASER'S PO#:	TAGGING:
SELECTED OPTION DESCRIPTIONS	
<u>QuickVac Valves</u>	Brass body valve allowing 3/8" and 1/2" hose connections to the condensing unit for evacuation purposes.
Approval of this drawing signifies that the equipment is acceptable under the provision of the job specifications. Any change made hereon by any person whomsoever subject to acceptance by NATIONAL REFRIGERATION at its home office.	



NATIONAL REFRIGERATION AND
AIR CONDITIONING CANADA CORP.

659 ROY BLVD. PO BOX 2020
BRANTFORD ON
CANADA N3T 5V6

WHOLESALE DISTRIBUTORS
REFRIGERATION - AIR CONDITIONING
HEATING SUPPLIES & EQUIPMENT

EZ-A008H8-RT3D

EZ-Line Scroll
Condensing Units-Air

PURCHASER:

SUBMITTED BY:

PROJECT:

DATE: 3/25/2026

ORDER #: -A00

ITEM #: 0

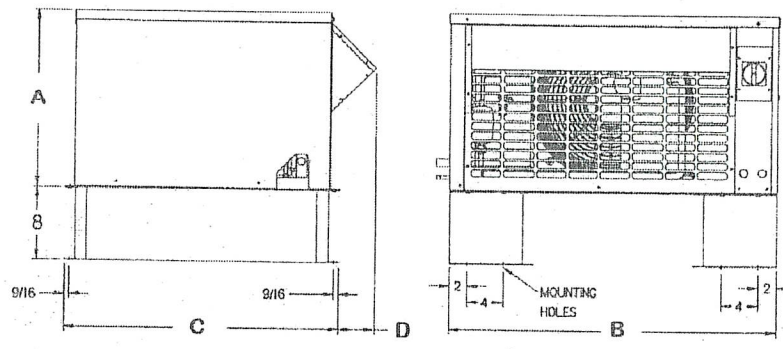
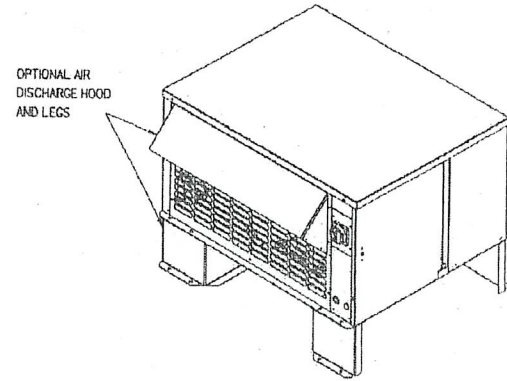
QUOTE #:

ID #:

PURCHASER'S PO#:

TAGGING:

DIMENSIONS SHOWN ARE FOR STANDARD UNIT LESS OPTIONS.



DIMENSIONS				FIELD CONNECTIONS				OTHER			
DIMENSION A	19 3/8 in	DIMENSION E		LIQUID	3/8 in	PAN LOOP		SHIPPING WEIGHT	188 lb		
DIMENSION B	24 7/8 in	DIMENSION F		SUCTION	5/8 in	HOT GAS SIDE PORT		REFRIGERANT CHARGE	3 lb		
DIMENSION C	30 3/8 in	DIMENSION G		DRAIN		HOT GAS INLET		RECEIVER CAPACITY	5 lb		
DIMENSION D	4 in	DIMENSION H		WATER		HOT GAS OUTLET		AWEF COMPLIANT	YES		
				DISCHARGE							
Voltage	SYSTEM REFRIGERANT			RATING	Suction Temp		Ambient Temp		CAPACITY		
	R404A			0.8Hp	24.4 °F		95 °F		8,695 BTUH		
Fans			COMPRESSOR				CIRCUIT TOTAL				
QTY	Power	FLA/FAN	Type	QTY	RLA	LRA	AMPS	WATTS	MCA†	MOP‡	
1	100	1.0	ZB07KAE-TF5	1	5.2	37.8	6.2		7.5	15	
LIQUID		3/8 in	SOUND	REC CAPACITY			5 lb		APPROVALS:	UL US	
SUCTION		5/8 in	WEIGHT	188 lb			REF CHARGE				3 lb

Notes: † MCA. Minimum Circuit Ampacity, ‡ MOP. Maximum Overcurrent Protection
MCA & MOP are for the condensing unit ONLY. Single point connections WILL show different on dataplate.
AWEF = 7.6 for R404A/R507/R407A/R448A/R449A. Non-compliant DOE NRCAN model for all other refrigerants

APPROVED BY: _____ DATE: _____

NATIONAL REFRIGERATION will furnish equipment in accordance with this drawing and specifications, and subject to its published warranty. Approval of this drawing signifies that the equipment is acceptable under the provision of the job specifications. Any change made hereon by any person whomsoever subject to acceptance by NATIONAL REFRIGERATION at its home office.



NATIONAL REFRIGERATION AND
AIR CONDITIONING CANADA CORP.
189 ROY BLVD. PO BOX 2020
BRANTFORD ON
CANADA N3T 5V6

UNITED REFRIGERATION INC

WHOLESALE DISTRIBUTORS
REFRIGERATION - AIR CONDITIONING
HEATING SUPPLIES & EQUIPMENT

TPLP209MASTER6
TPLP Low Profile

PURCHASER:	SUBMITTED BY:
PROJECT:	DATE: 3/25/2026
ORDER #: -A00	ITEM #: 0
QUOTE #:	ID #:
PURCHASER'S PO#:	TAGGING:

STANDARD FEATURES

- 3/8" Tubing coil construction (reduces refrigerant operating charge)
- Factory installed solenoid valve wire harness
- Heavy gauge textured aluminum cabinet construction resists scratches/corrosion
- Spacious piping end compartment allows for easy assembly
- Hinged drain pan with central universal drain connection (3/4" drain)
- Front access to spacious electrical and header compartments
- Schrader connection on suction header
- Attractive and durable high density polyethylene fan guards
- Ultra efficient Electronically Commutated Motor (ECM)
- ECM with SmartSpeed Technology
- High efficiency enhanced copper tube and aluminium fin coil design
- TPLP evaporator includes TXV, Liquid Line solenoid and Room Thermostat factory installed and wired
- AWEF = 9.0
- Unit Cooler is DOE/NRCAN compliant with R404A/R507/R448A/R449A/R407A/R407C

MODEL OPTIONS

- PRE-ASSEMBLED EVAP TPLP TXV, LLSV.T-stat (Factory Installed)
- KE2 THERM Edge Manager Cell w/BACNet - #21926 (Shipped Loose)

Notes: † MCA.. Minimum Circuit Ampacity, ‡ MOP.. Maximum Overcurrent Protection

APPROVALS

APPROVED BY:	DATE:
--------------	-------

Approval of this drawing signifies that the equipment is acceptable under the provision of the job specifications. Any change made hereon by any person whomsoever subject to acceptance by NATIONAL REFRIGERATION at its home office.



NATIONAL REFRIGERATION AND AIR CONDITIONING CANADA CORP. **UNIVERSITY UNITED REFRIGERATION INC.**

150 ROY BLVD. PO BOX 2020
BRANTFORD ON
CANADA N3T 5Y6

**WHOLESALE DISTRIBUTORS
REFRIGERATION - AIR CONDITIONING
HEATING SUPPLIES & EQUIPMENT**

TPLP 209MASH DRG

TPLP Low Profile
Evaporator

PURCHASER:		SUBMITTED BY:	
PROJECT:		DATE: 3/25/2026	
ORDER #: -A00		ITEM #: 0	
QUOTE #:		ID #:	
PURCHASER'S PO#:		TAGGING:	
SELECTED OPTION DESCRIPTIONS			
<u>Pre-assembled Evap. TPLP TXV, LLSV, T-stat (Factory Installed)</u> thermostat.			
Option Package consists of factory installed Sporlan balance port TXV, Sporlan liquid line solenoid valve and Johnson Controls A19 Room			
Approval of this drawing signifies that the equipment is acceptable under the provision of the job specifications. Any change made hereon by any person whomsoever subject to acceptance by NATIONAL REFRIGERATION at its home office.			



NATIONAL REFRIGERATION AND
AIR CONDITIONING CANADA CORP.

659 ROY BLVD. PO BOX 2020
BRANTFORD ON
CANADA N5T 5V5

WHOLESALE DISTRIBUTORS
REFRIGERATION - AIR CONDITIONING
HEATING SUPPLIES & EQUIPMENT

TPLP209MASTER6

TPLP Low Profile

PURCHASER:

SUBMITTED BY:

PROJECT:

DATE: 3/25/2026

ORDER #: -A00

ITEM #: 0

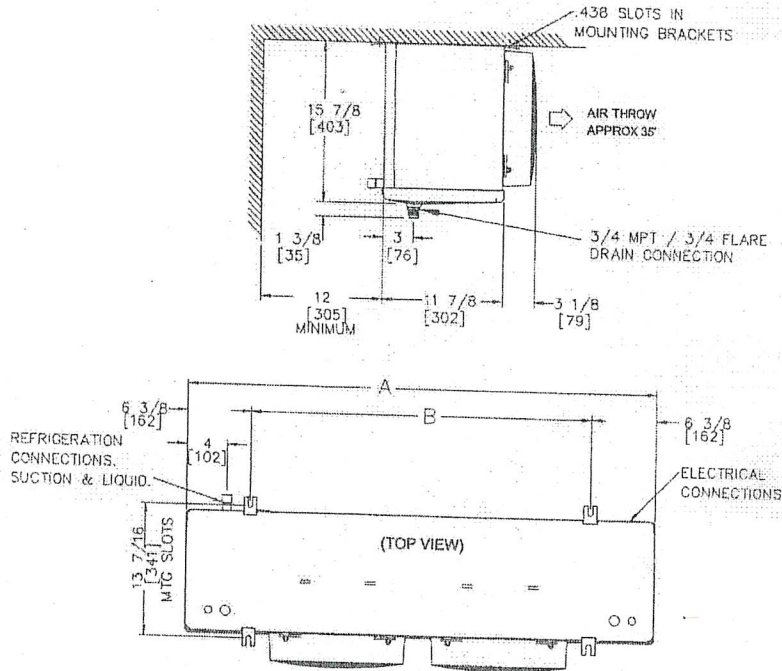
QUOTE #:

ID #:

PURCHASER'S PO#:

TAGGING:

DIMENSIONS SHOWN ARE FOR STANDARD UNIT LESS OPTIONS.



DIMENSIONS			FIELD CONNECTIONS				OTHER	
DIMENSION A	46 1/4 in	DIMENSION E	DISTRIBUTOR	3/8 in	PAN LOOP	SHIPPING WEIGHT	70 lb	
DIMENSION B	33 1/4 in	DIMENSION F	SUCTION	7/8 in	HOT GAS SIDE PORT	REFRIGERANT CHARGE	1 lb	
DIMENSION C		DIMENSION G	DRAIN	3/4 in	HOT GAS INLET	RECEIVER CAPACITY	undefined lb	
DIMENSION D		DIMENSION H	WATER		HOT GAS OUTLET	AWEF COMPLIANT	YES	
			DISCHARGE					
Voltage	SYSTEM REFRIGERANT		AIR FLOW	Evap temperature		Box Temperature	CAPACITY	
	R404A		1,500 CFM	24.9 °F		35 °F	8,586 BTUH	
Fans			HEATERS			CIRCUIT TOTAL		
QTY	Power	FLA/FAN	Type	QTY	AMPS	AMPS	WATTS	
2	0.07 HP	1.0				2.0	120.0	
DISTRIBUTOR		3/8 in	SOUND	56	REC CAPACITY	undefined lb		
SUCTION		7/8 in	WEIGHT	70 lb	REF CHARGE	1 lb		
APPROVALS:								

Notes: † MCA.. Minimum Circuit Ampacity, ‡ MOP.. Maximum Overcurrent Protection

APPROVED BY:

DATE:

NATIONAL REFRIGERATION will furnish equipment in accordance with this drawing and specifications, and subject to its published warranty. Approval of this drawing signifies that the equipment is acceptable under the provision of the job specifications. Any change made hereon by any person whomsoever subject to acceptance by NATIONAL REFRIGERATION at its home office.

Garmon Mechanical Service Inc.

Job References

Company Name: Carolina Pizza Huts

Contact Name & Title: Will – General manager

Direct Phone Number: 704-425-8067

Company Name: Atrium Health - Stanly

Contact Name & Title: Danny Dennis – Director of Facilities

Direct Phone Number: 980-521-8058

Company Name: Trinity Place Assisted Living

Contact Name & Title: Adam Stirewalt – Facility Manager

Direct Phone Number: 704-244-6103

License Number
2967

North Carolina State
Board of
Refrigeration Contractors

Expiration Date
December 31, 2026

This is to Certify that:

Robert L Garmon, Jr.

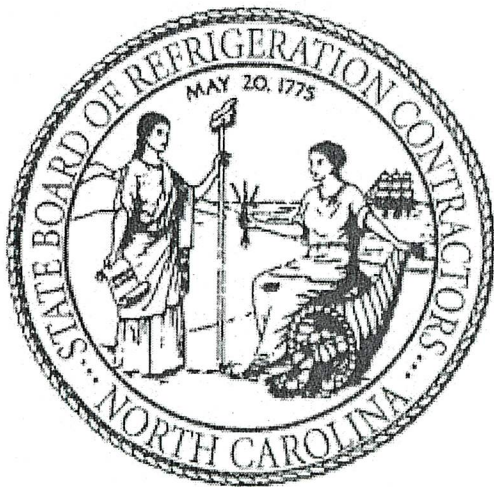
Garmon Mechanical Service, Inc.
P O Box 1136
Albemarle, NC 28002

*Is duly registered, licensed and entitled to engage in the business
of Refrigeration Contracting in the State of North Carolina.*

**Commercial Refrigeration Contractor
Transport Refrigeration Contractor
Industrial Refrigeration Contractor**

*This authority is granted in accordance with the provisions of
Chapter 87, Article 5 of the General Statutes of North Carolina.*

Witness our hands and seal of the Board, Raleigh, N.C.



Paul Cook
Chairman
H. O. Hill
Secretary
Ronan Reed
Treasurer



CERTIFICATE OF LIABILITY INSURANCE

DATE (MM/DD/YYYY)
03/23/2026

THIS CERTIFICATE IS ISSUED AS A MATTER OF INFORMATION ONLY AND CONFERS NO RIGHTS UPON THE CERTIFICATE HOLDER. THIS CERTIFICATE DOES NOT AFFIRMATIVELY OR NEGATIVELY AMEND, EXTEND OR ALTER THE COVERAGE AFFORDED BY THE POLICIES BELOW. THIS CERTIFICATE OF INSURANCE DOES NOT CONSTITUTE A CONTRACT BETWEEN THE ISSUING INSURER(S), AUTHORIZED REPRESENTATIVE OR PRODUCER, AND THE CERTIFICATE HOLDER.

IMPORTANT: If the certificate holder is an ADDITIONAL INSURED, the policy(ies) must have ADDITIONAL INSURED provisions or be endorsed. If SUBROGATION IS WAIVED, subject to the terms and conditions of the policy, certain policies may require an endorsement. A statement on this certificate does not confer rights to the certificate holder in lieu of such endorsement(s).

PRODUCER Childress Insurance Partners 146 E Main St Albemarle NC 28001		CONTACT NAME: Pamela Morton PHONE (A/C, No, Ext): 704-557-2438 E-MAIL ADDRESS: pmorton@legacyinspartners.com FAX (A/C, No):	
INSURED Garmon Mechanical Service Inc Po Box 1136 Albemarle NC 28002		INSURER(S) AFFORDING COVERAGE INSURER A: Penn National Mutual NAIC # 14990 INSURER B: Business First NAIC # 11697 INSURER C: INSURER D: INSURER E: INSURER F:	

COVERAGES **CERTIFICATE NUMBER:** **REVISION NUMBER:**

THIS IS TO CERTIFY THAT THE POLICIES OF INSURANCE LISTED BELOW HAVE BEEN ISSUED TO THE INSURED NAMED ABOVE FOR THE POLICY PERIOD INDICATED. NOTWITHSTANDING ANY REQUIREMENT, TERM OR CONDITION OF ANY CONTRACT OR OTHER DOCUMENT WITH RESPECT TO WHICH THIS CERTIFICATE MAY BE ISSUED OR MAY PERTAIN, THE INSURANCE AFFORDED BY THE POLICIES DESCRIBED HEREIN IS SUBJECT TO ALL THE TERMS, EXCLUSIONS AND CONDITIONS OF SUCH POLICIES. LIMITS SHOWN MAY HAVE BEEN REDUCED BY PAID CLAIMS.

INSR LTR	TYPE OF INSURANCE	ADDL INSD	SUBR WVD	POLICY NUMBER	POLICY EFF (MM/DD/YYYY)	POLICY EXP (MM/DD/YYYY)	LIMITS
A	<input checked="" type="checkbox"/> COMMERCIAL GENERAL LIABILITY <input type="checkbox"/> CLAIMS-MADE <input checked="" type="checkbox"/> OCCUR GEN'L AGGREGATE LIMIT APPLIES PER: <input type="checkbox"/> POLICY <input checked="" type="checkbox"/> PRO-JECT <input type="checkbox"/> LOC OTHER:			CL92031632	7/29/2025	7/29/2026	EACH OCCURRENCE \$ 1,000,000 DAMAGE TO RENTED PREMISES (Ea occurrence) \$ 500,000 MED EXP (Any one person) \$ 10,000 PERSONAL & ADV INJURY \$ 1,000,000 GENERAL AGGREGATE \$ 2,000,000 PRODUCTS - COMP/OP AGG \$ 2,000,000
A	AUTOMOBILE LIABILITY <input checked="" type="checkbox"/> ANY AUTO <input type="checkbox"/> OWNED AUTOS ONLY <input type="checkbox"/> SCHEDULED AUTOS <input checked="" type="checkbox"/> HIRED AUTOS ONLY <input checked="" type="checkbox"/> NON-OWNED AUTOS ONLY			AU92031632	7/29/2025	7/29/2026	COMBINED SINGLE LIMIT (Ea accident) \$ 1000000 BODILY INJURY (Per person) \$ BODILY INJURY (Per accident) \$ PROPERTY DAMAGE (Per accident) \$
A	<input checked="" type="checkbox"/> UMBRELLA LIAB <input checked="" type="checkbox"/> OCCUR <input type="checkbox"/> EXCESS LIAB <input type="checkbox"/> CLAIMS-MADE DED <input checked="" type="checkbox"/> RETENTION \$ 10,000			UL92031632	7/29/2025	7/29/2026	EACH OCCURRENCE \$ 4,000,000 AGGREGATE \$ 4,000,000
B	WORKERS COMPENSATION AND EMPLOYERS' LIABILITY ANY PROPRIETOR/PARTNER/EXECUTIVE OFFICER/MEMBER EXCLUDED? (Mandatory in NH) If yes, describe under DESCRIPTION OF OPERATIONS below	Y/N	N/A	0521-23645	10/1/2025	10/1/2026	<input checked="" type="checkbox"/> PER STATUTE <input type="checkbox"/> OTH-ER E.L. EACH ACCIDENT \$ 1,000,000 E.L. DISEASE - EA EMPLOYEE \$ 1,000,000 E.L. DISEASE - POLICY LIMIT \$ 1,000,000

DESCRIPTION OF OPERATIONS / LOCATIONS / VEHICLES (ACORD 101, Additional Remarks Schedule, may be attached if more space is required)

Union County, It's Officers, Agents and employees ar Additional Insured with respects to general liability

CERTIFICATE HOLDER		CANCELLATION	
Union County Union County Risk Manager 500 N Main St., Ste 130 Monroe NC 28112		SHOULD ANY OF THE ABOVE DESCRIBED POLICIES BE CANCELLED BEFORE THE EXPIRATION DATE THEREOF, NOTICE WILL BE DELIVERED IN ACCORDANCE WITH THE POLICY PROVISIONS. AUTHORIZED REPRESENTATIVE <i>Pamela T. Morton</i>	